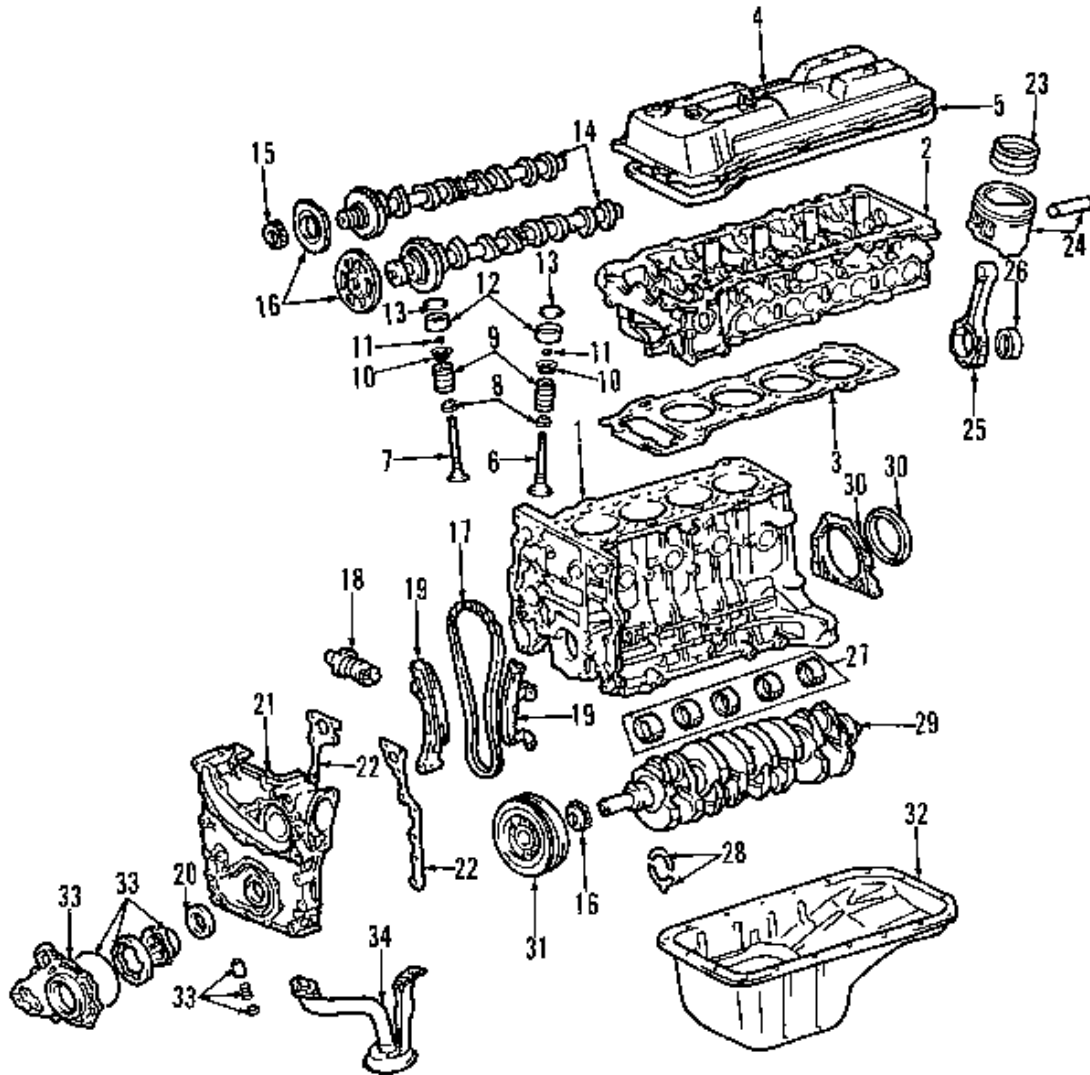


# TABLE OF CONTENTS

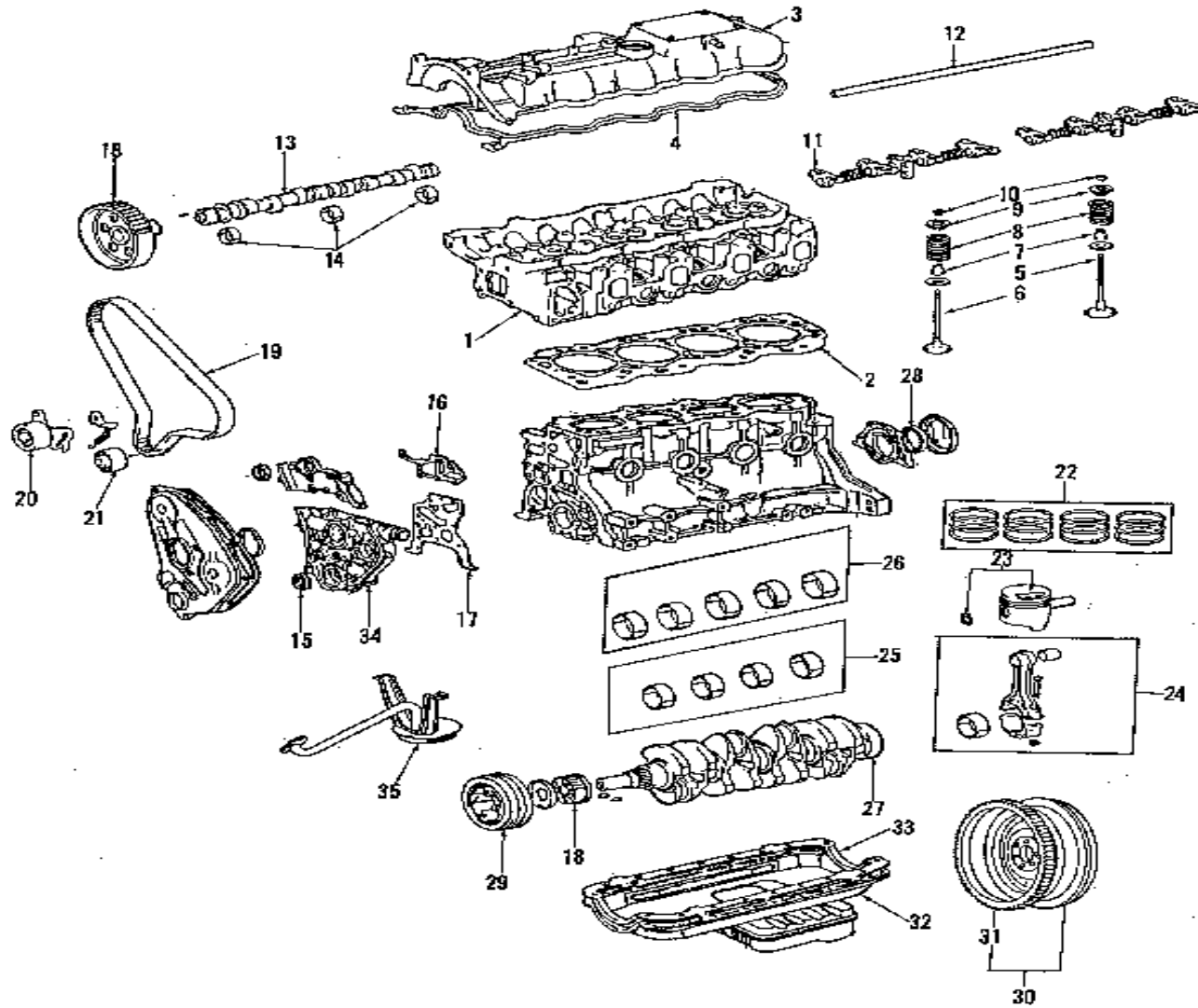
1. Gasoline Engine
2. Diesel Engine
3. Starter
4. Alternator External Regulator
5. Alternator Internal Regulator
6. Cooling System
7. Engine Support
8. Steering Column
9. Steering Gear
10. Differential & Axle
11. Front Suspension
12. Rear Suspension
13. AC Evaporator & Blower
14. AC Condenser
15. Wiper Assembly
16. Door Hardware
17. Door Lock

# GASOLINE ENGINE



1. Cylinder Block
2. Cylinder Head
3. Head Gasket
4. Valve Cover
5. Valve Cover Gasket.
6. Intake Valve
7. Exhaust Valve
8. Valve Seals
9. Valve Springs
10. Valve Spring Retainer
11. Valve Keeper
12. Valve Lifters
13. Shim
14. Camshaft
15. Distributor Gear
16. Camshaft Gear
17. Timing Chain
18. Tensioner
19. Tensioner Guide
20. Front Crank Seal
21. Front Cover
22. Front Cover Gasket
23. Piston Ring set
24. Piston
25. Connecting Rod
26. Bearings
27. Bearings
28. Thrust Washer
29. Crankshaft
30. Rear Main Seal
31. Pulley
32. Oil Pan
33. Gasket
34. Oil Pick Up

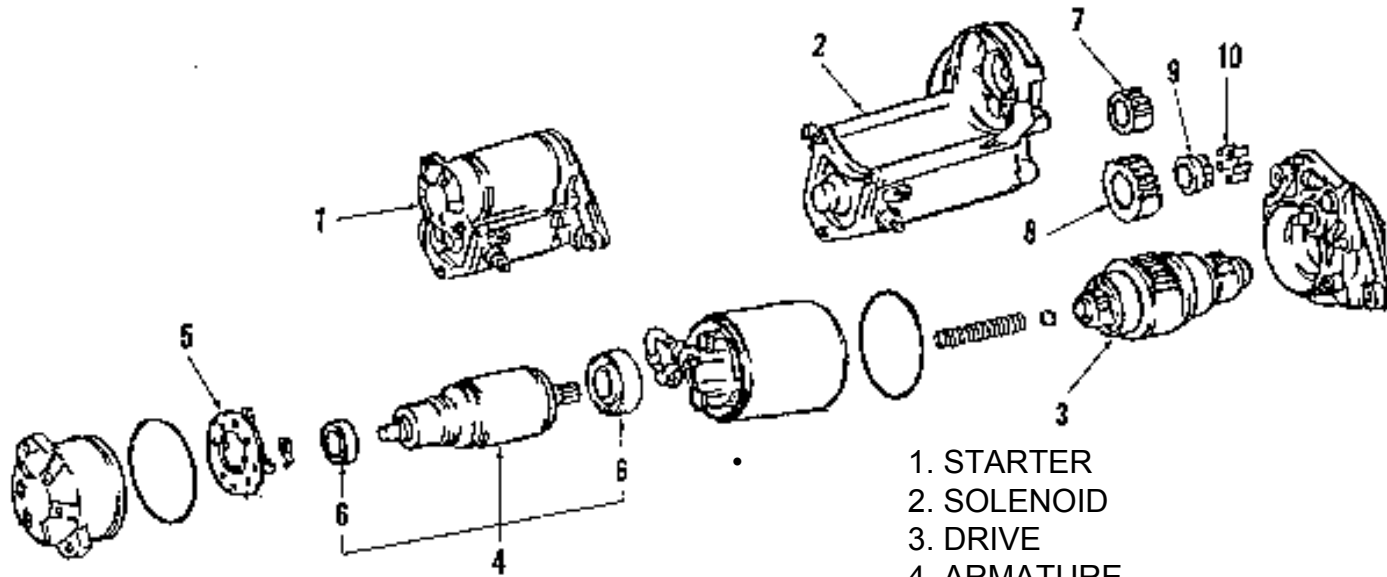
# DIESEL ENGINE



1. Cylinder Head
2. Head Gasket
3. Valve Cover
4. Valve Cover Gasket.
5. Intake Valve
6. Exhaust Valve
7. Valve Seals
8. Valve Springs
9. Valve Retainer
10. Valve Keeper
11. Rocker Arms
12. Rocker Shaft
13. Camshaft
14. Camshaft Bearings
15. Front Cover Seal
16. Front Cover Gasket
17. Front Cover Gasket
18. Timing Gear
19. Timing Belt
20. Idler
21. Idler Pulley
22. Piston Ring set
23. Piston
24. Connecting Rod
25. Bearing Set
26. Main Bearing Set
27. Crankshaft
28. Rear Main Seal
29. Pulley
30. Flywheel
31. Ring Gear
32. Oil Pan
33. Oil Pan Gasket
34. Oil Pump
35. Oil Pick UP

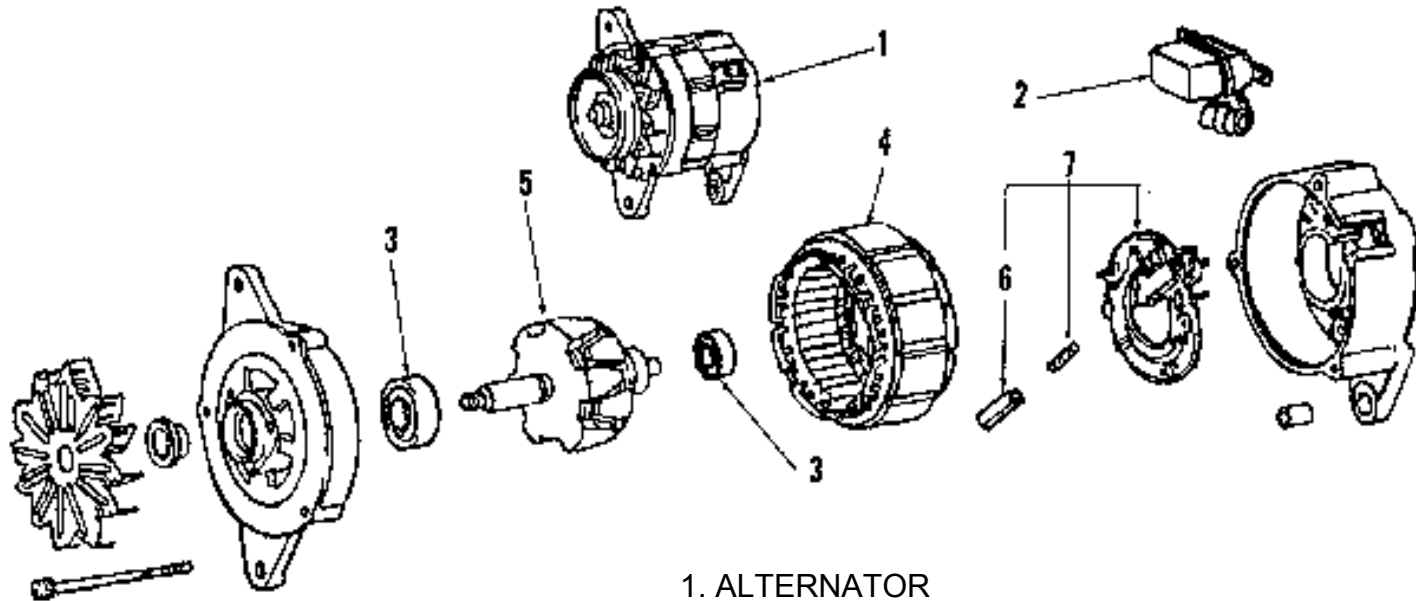
ENGINE-4 CYLINDER DIESEL

# STARTER



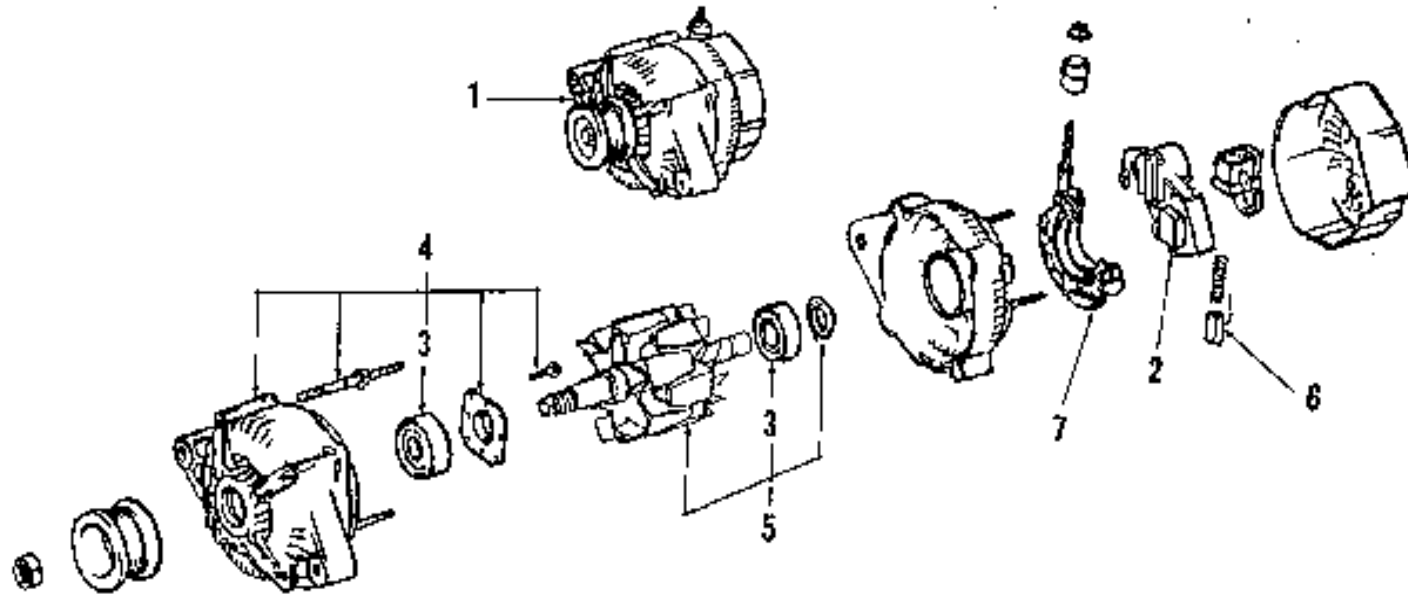
1. STARTER
2. SOLENOID
3. DRIVE
4. ARMATURE
5. BRUSH HOLDER
6. BEARINGS
7. PINION GEAR
8. IDLER GEAR
9. RETAINER
10. PIN

## Alternator External Regulator



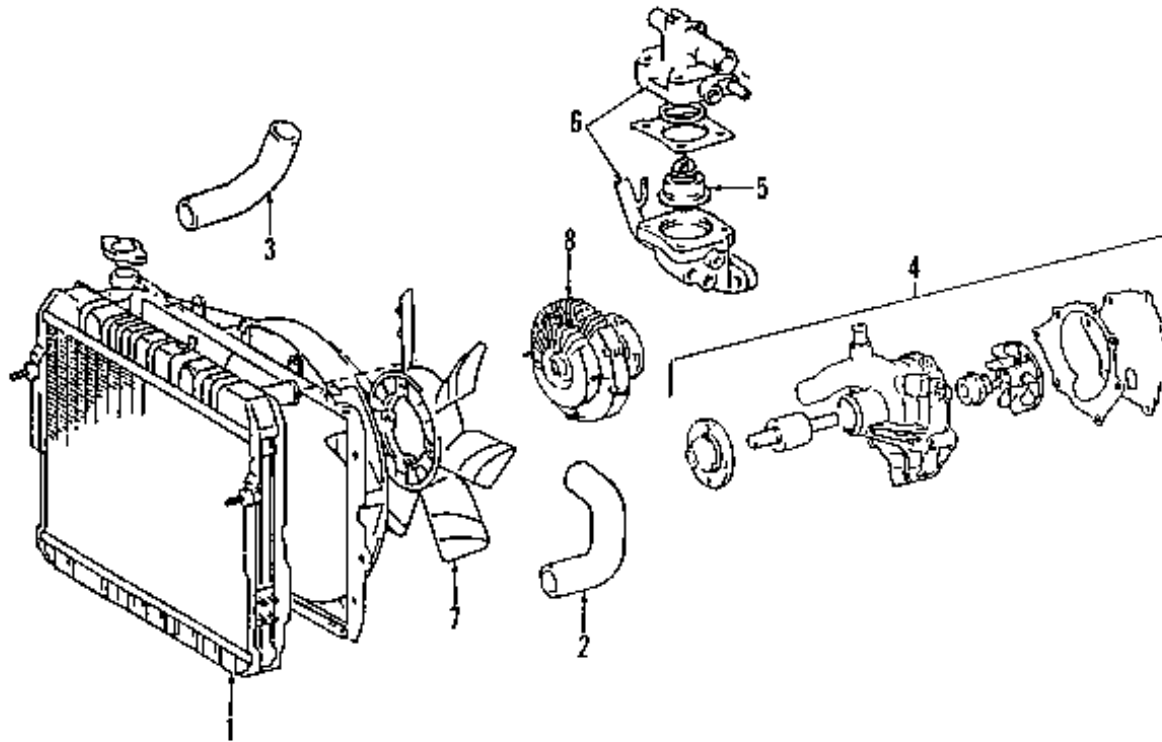
1. ALTERNATOR
2. VOLTAGE REGULATOR
3. BEARINGS
4. STATOR
5. ROTOR
6. BRUSHES
7. RECTIFIER

# ALTERNATOR Internal Regulator



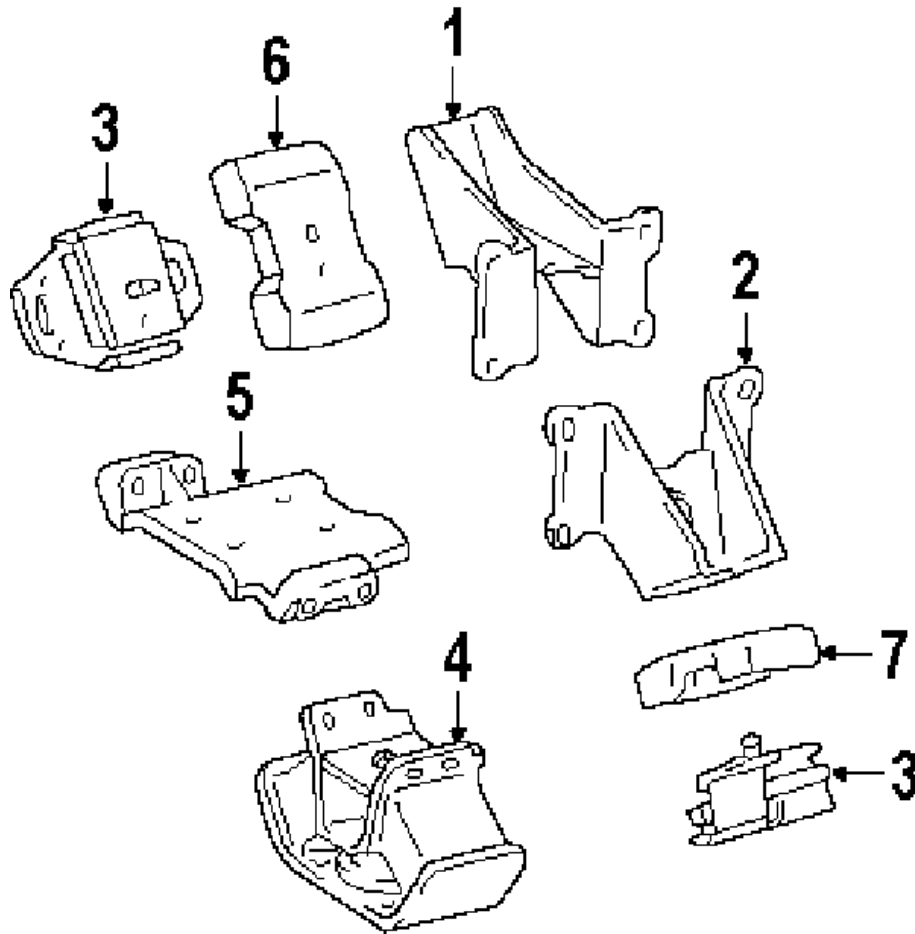
1. ALTERNATOR
2. VOLTAGE REGULATOR
3. BEARINGS
4. STATOR
5. ROTOR
6. BRUSHES
7. RECTIFIER

# COOLING SYSTEM



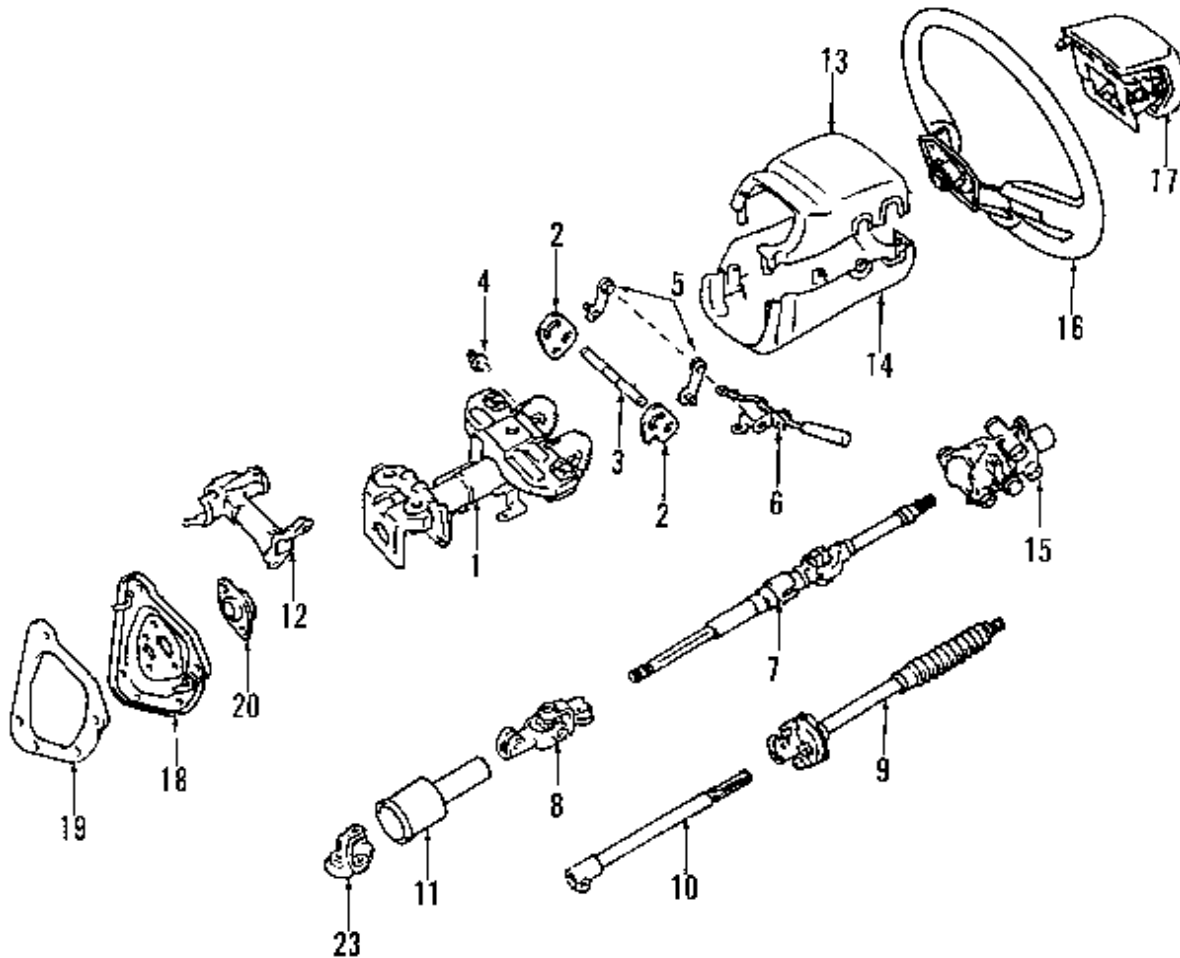
1. RADIATOR
2. UPPER HOSE
3. LOWER HOSE
4. WATER PUMP
5. THERMOSTAT
6. THERMOSTAT HOUSING
7. FAN BLADE
8. FAN CLUTCH

## ENGINE SUPPORT



1. MOUNT BRACKET RIGHT
2. MOUNT BRACKET LEFT
3. FRONT INSULATOR
4. REAR INSULATOR
5. SPACER
6. STABILIZER RIGHT
7. STABILIZER LEFT

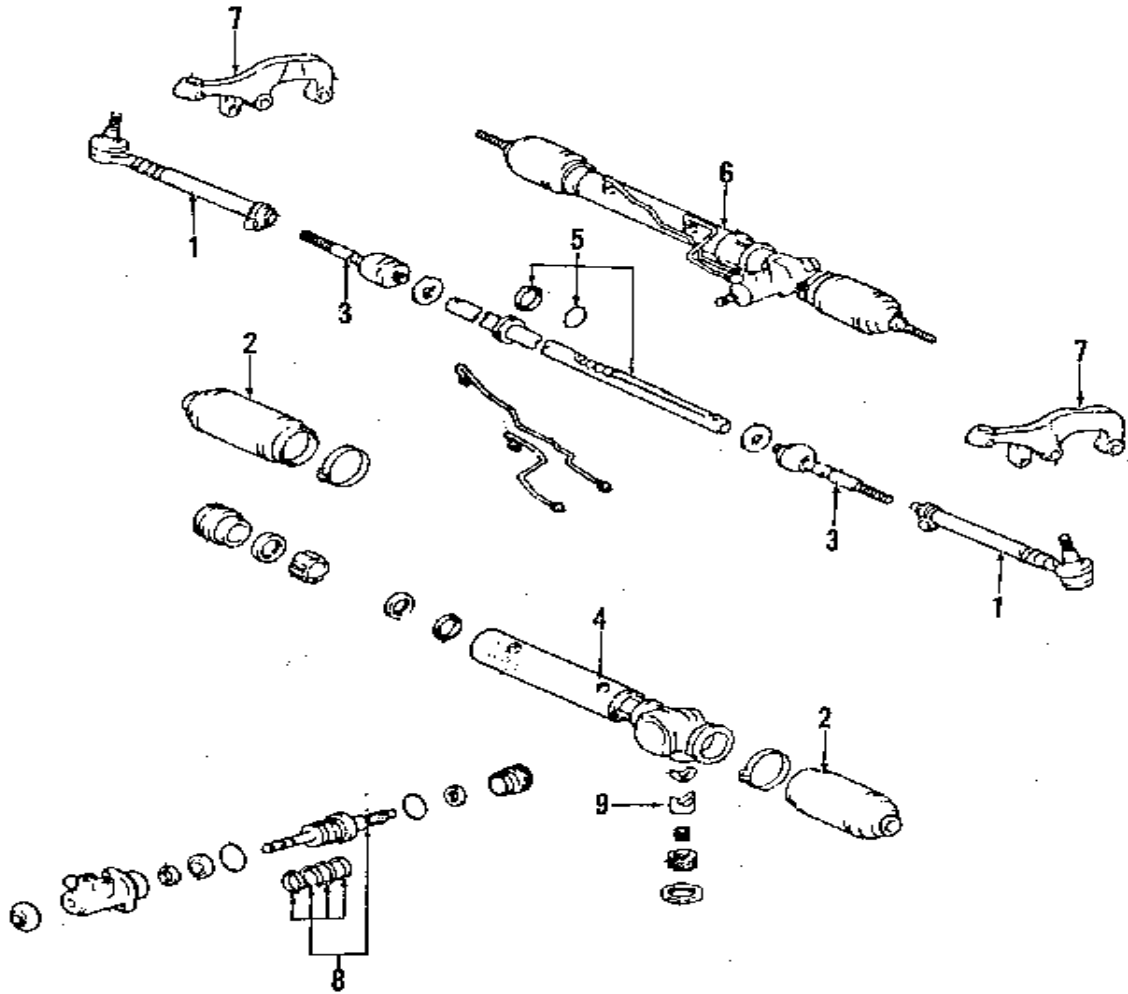
# STEERING COLUMN



## 1. JACKET

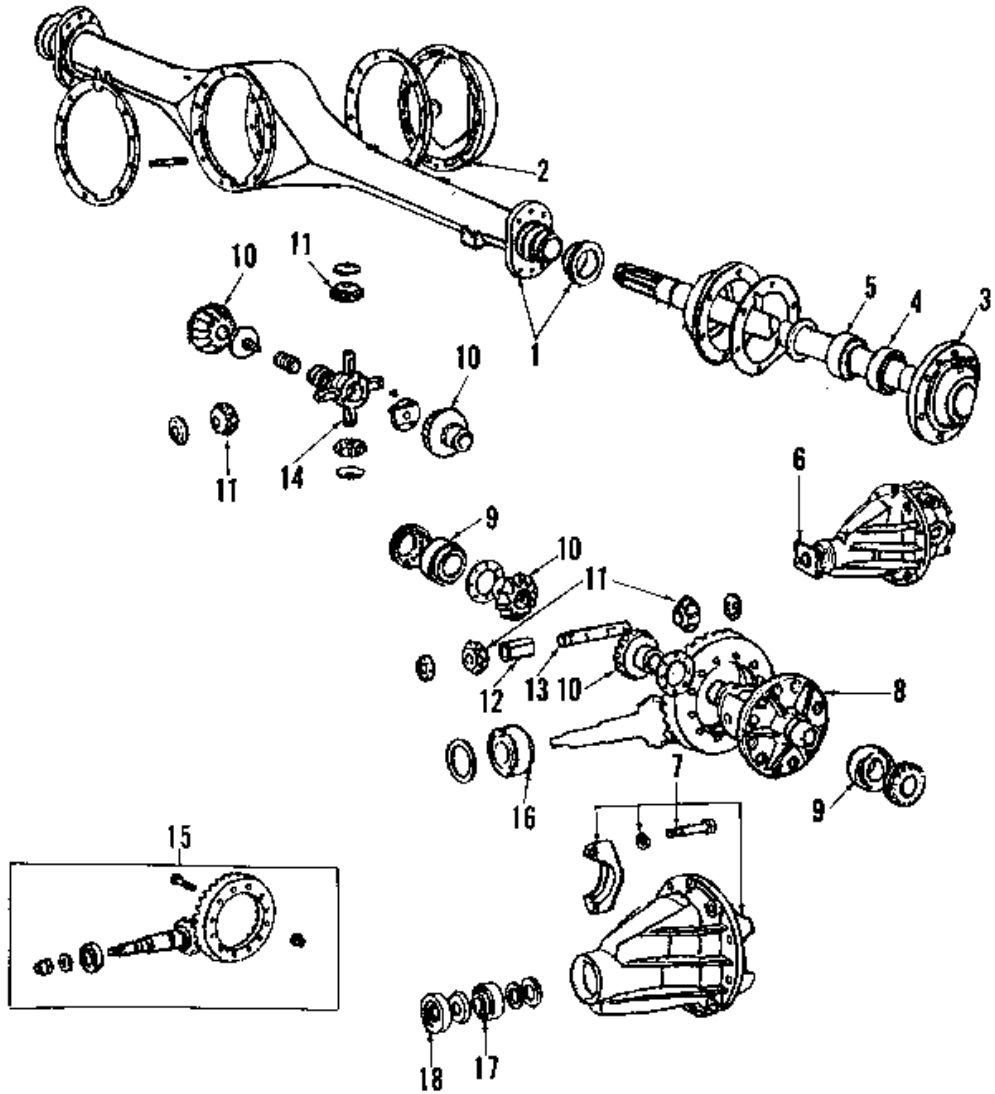
2. LEVER
3. SHAFT PIN
4. BOLT
5. TILT PAWL
6. TILT LEVER
7. UPPER SHAFT
8. LOWER JOINT ASSY
9. INTERMEDIATE SHAFT
10. LOWER SHAFT
11. COUPLING SHIELD
12. UPPER BRACKET
13. UPPER SHROUD
14. LOWER SHROUD
15. TILT HOUSING
16. STEERING WHEEL
17. DRIVER INFLATOR MODULE
18. COVER
- HOUSING SHIELD

## Steering Gear



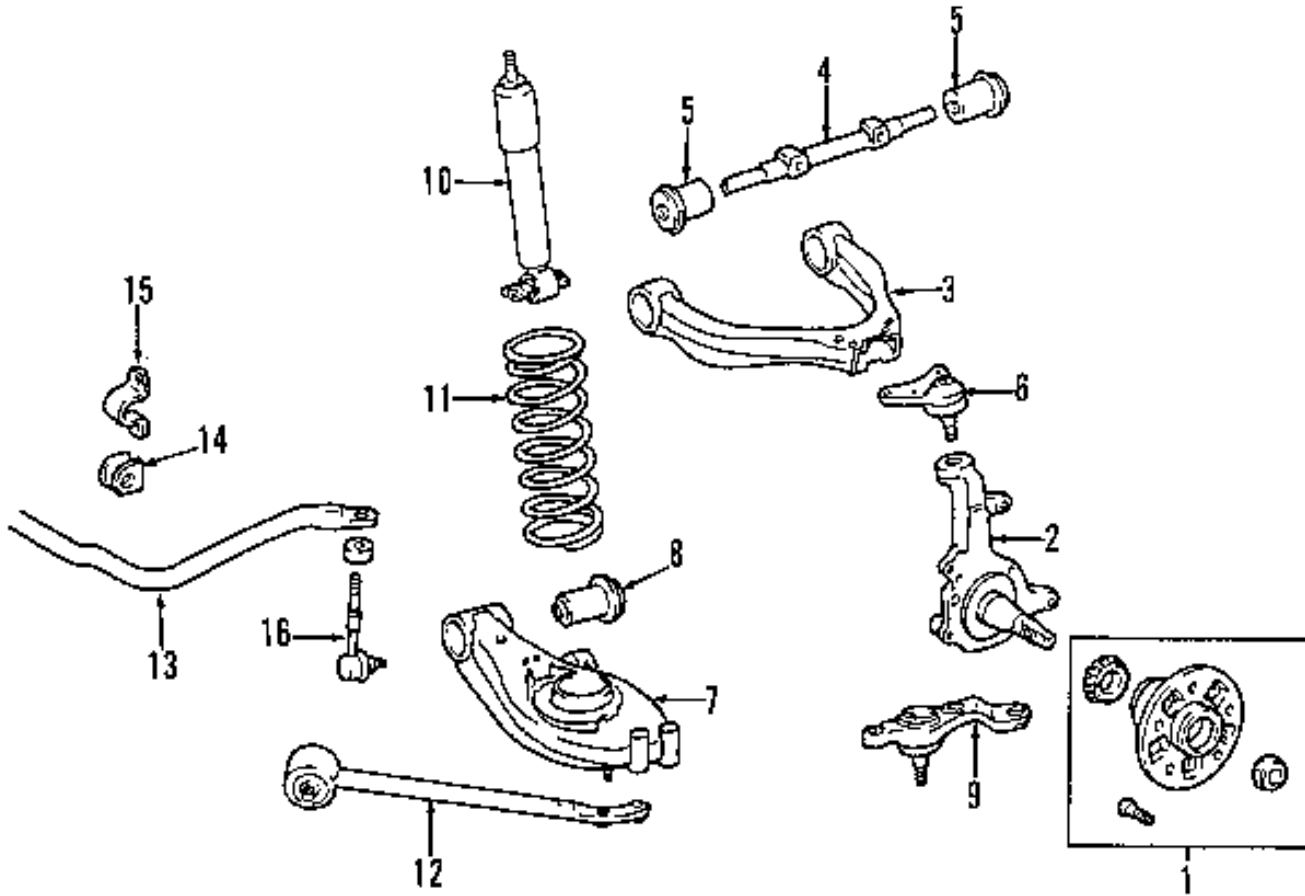
1. OUTER TIE ROD
2. TIE ROD BOOT
3. INNER TIE ROD
4. STEERING GEAR HOUSING
5. RACK
6. STEERING GEAR
7. KNUCKLE ARM
8. CONTROL VALVE
9. GUIDE

# DIFFERENTIAL & AXLE



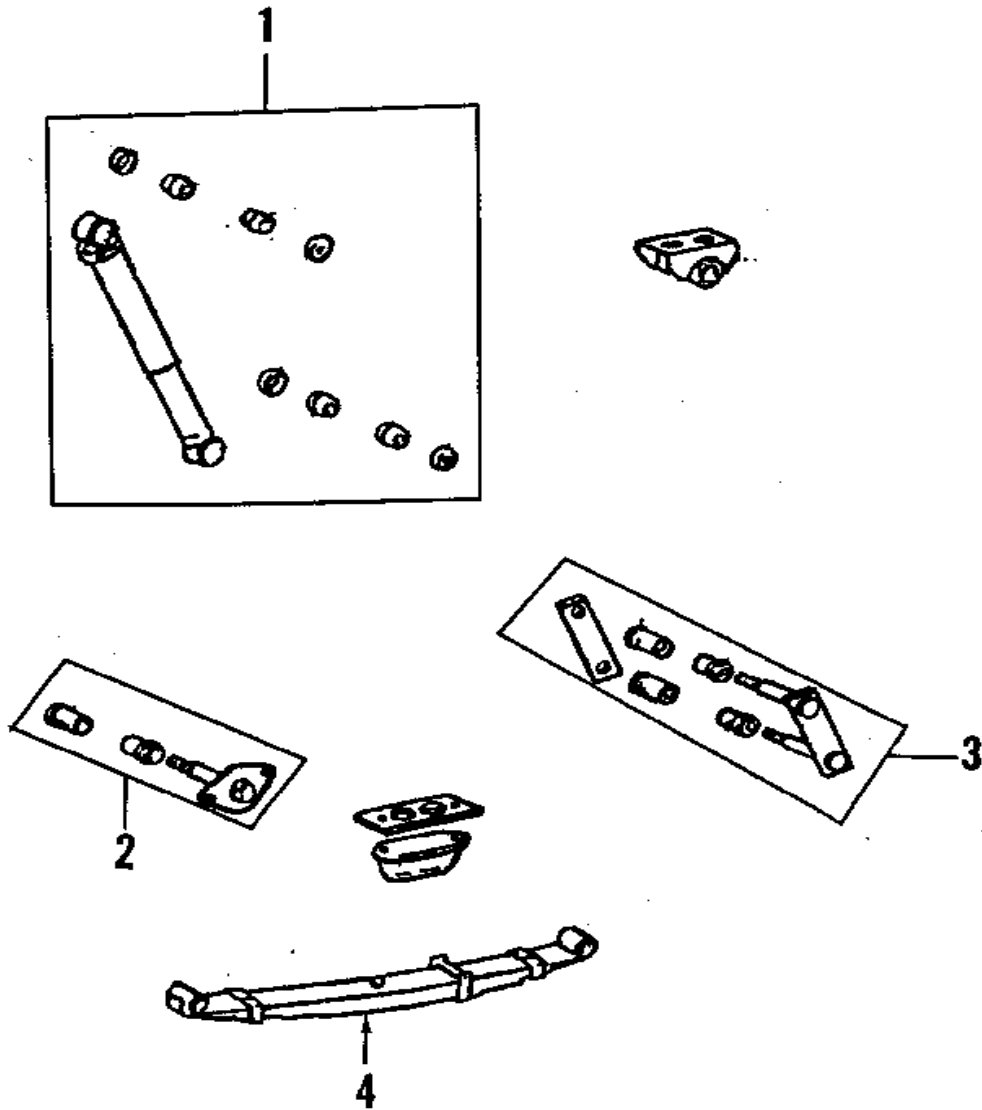
1. AXLE HOUSING
2. AXLE COVER
3. AXLE SHAFTS
4. AXLE SEALS
5. AXLE BEARING
6. Carrier ASSY
7. CARRIER
8. DIFFERENTIAL CASE
9. SIDE BEARINGS
10. SIDE GEAR
11. PINION GEAR
12. SPACER
13. PINION SHAFT
14. SPIDER KIT
15. RING and PINION
16. REAR PINION BEARING
17. FRONT PINION BEARING
18. PINION SEAL

# FRONT SUSPENSION



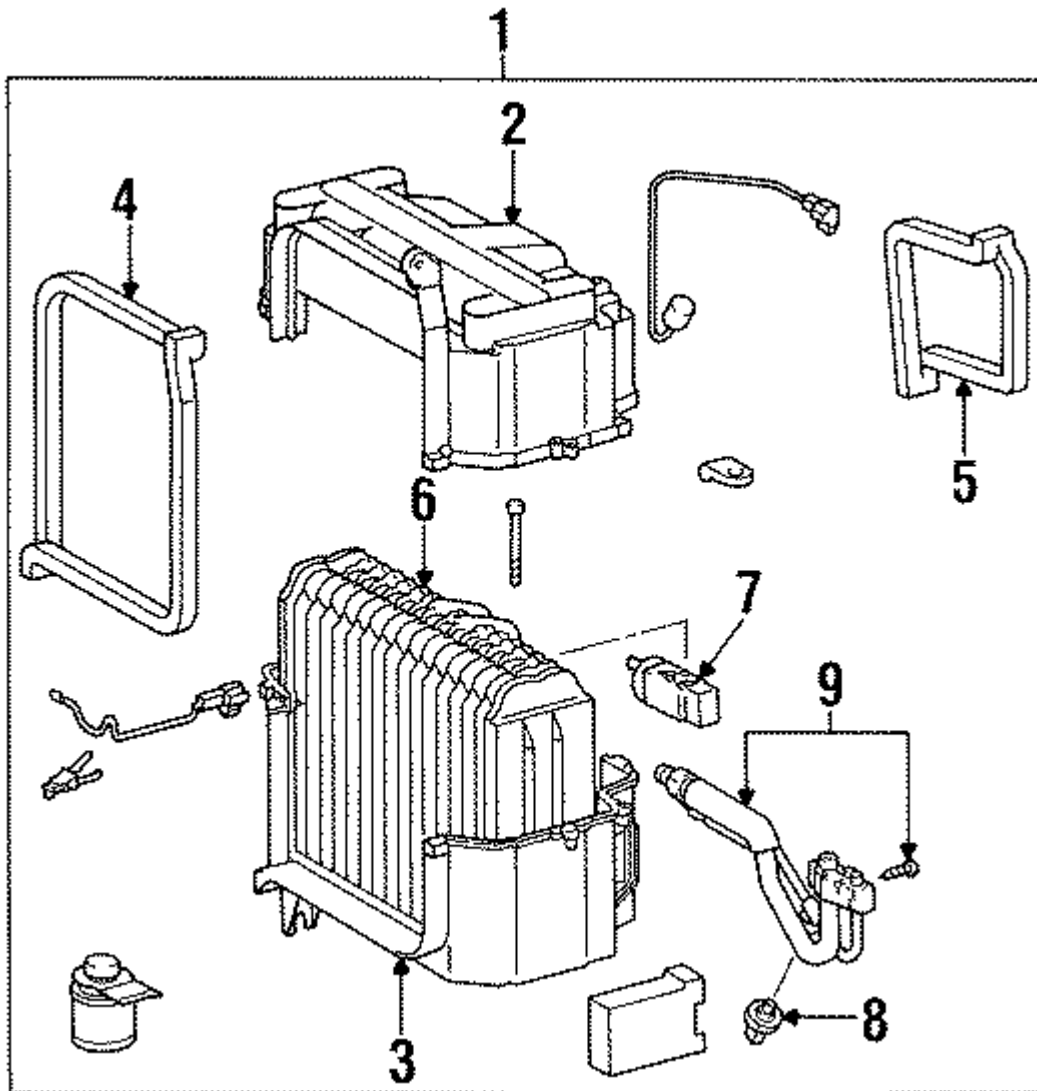
1. FRONT HUB
2. KNUCKLE
3. UPPER CONTROL ARM
4. SHAFT
5. BUSHINGS
6. UPPER BALL JOINT
7. LOWER CONTROL ARM
8. BUSHINGS
9. LOWER BALL JOINT
10. SHOCK ABSORBER
11. COIL SPRING
12. STRUT ROD
13. STABILIZER BAR
14. BUSHINGS
15. BRACKET
16. LINK

# REAR SUSPENSION



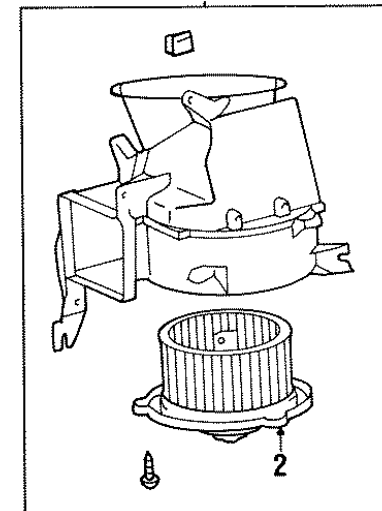
- 1. SHOCK ABSORBER
- 2. PIN
- 3. SHACKLE
- 4. LEAF SPRING

# AC EVAPORATOR

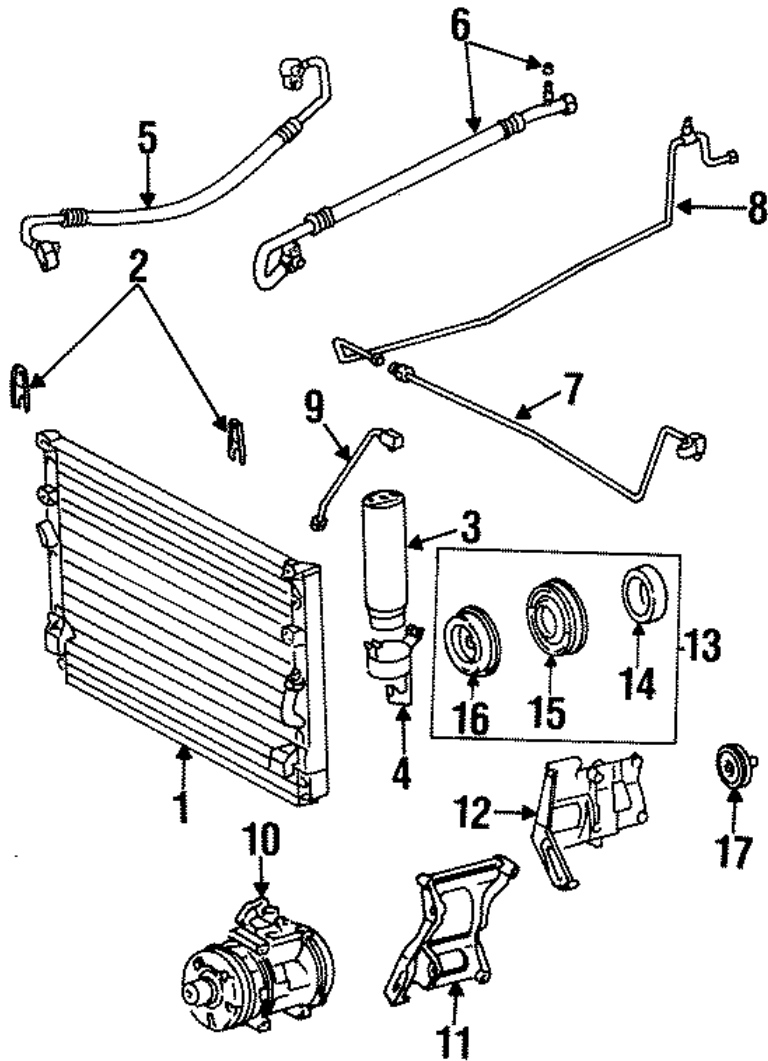


1. EVAPORATOR ASSY
2. UPPER CASE
3. LOWER CASE
4. GASKET FRONT
5. GASKET REAR
6. EVAPORATOR CORE
7. EXPANSION VALVE
8. PRESSURE SWITCH
9. PIPE

1. BLOWER ASSY
2. FAN & MOTOR

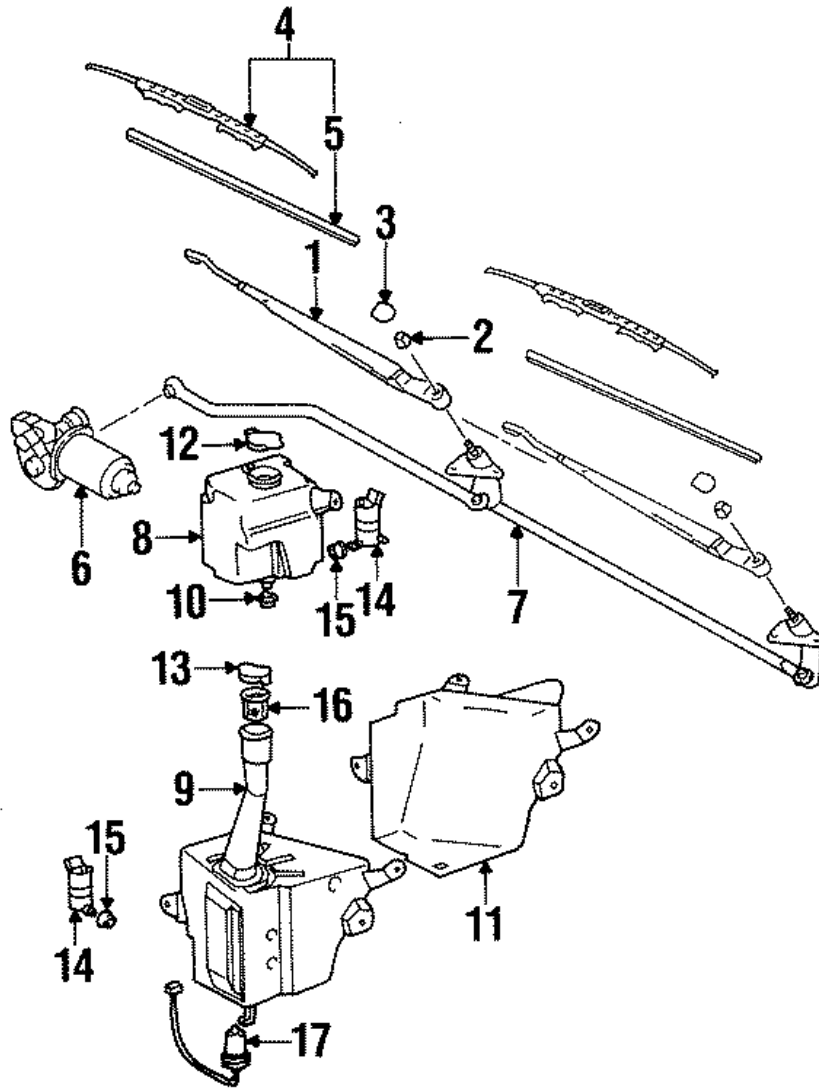


# AC CONDENSER



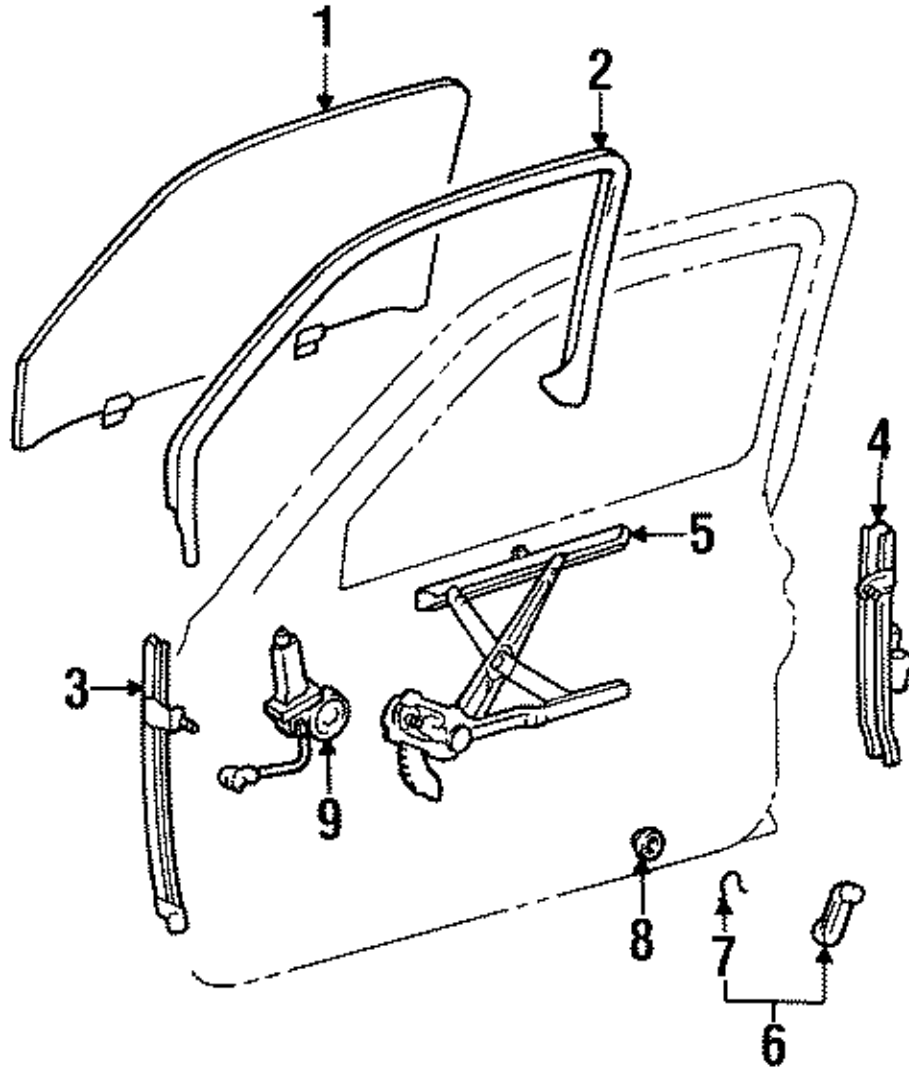
- 1. CONDENSER
- 2. BRACKET BACK
- 3. DEHYDRATOR
- 4. DEHYDRATOR BRACKET
- 5. DISCHARGE HOSE
- 6. SUCTION HOSE
- 7. EVAP TO DEHYD FRONT
- 8. EVAP TO DEHYD REAR
- 9. CONDENSER TO DEHYD
- 10. COMPRESSOR
- 11. MOUNT BRACKET
- 12. MOUNT BRACKET
- 13. CLUTCH
- 14. COIL
- 15. ROTOR
- 16. HUB
- 17. IDLER PULLEY

# WIPER ASSEMBLY



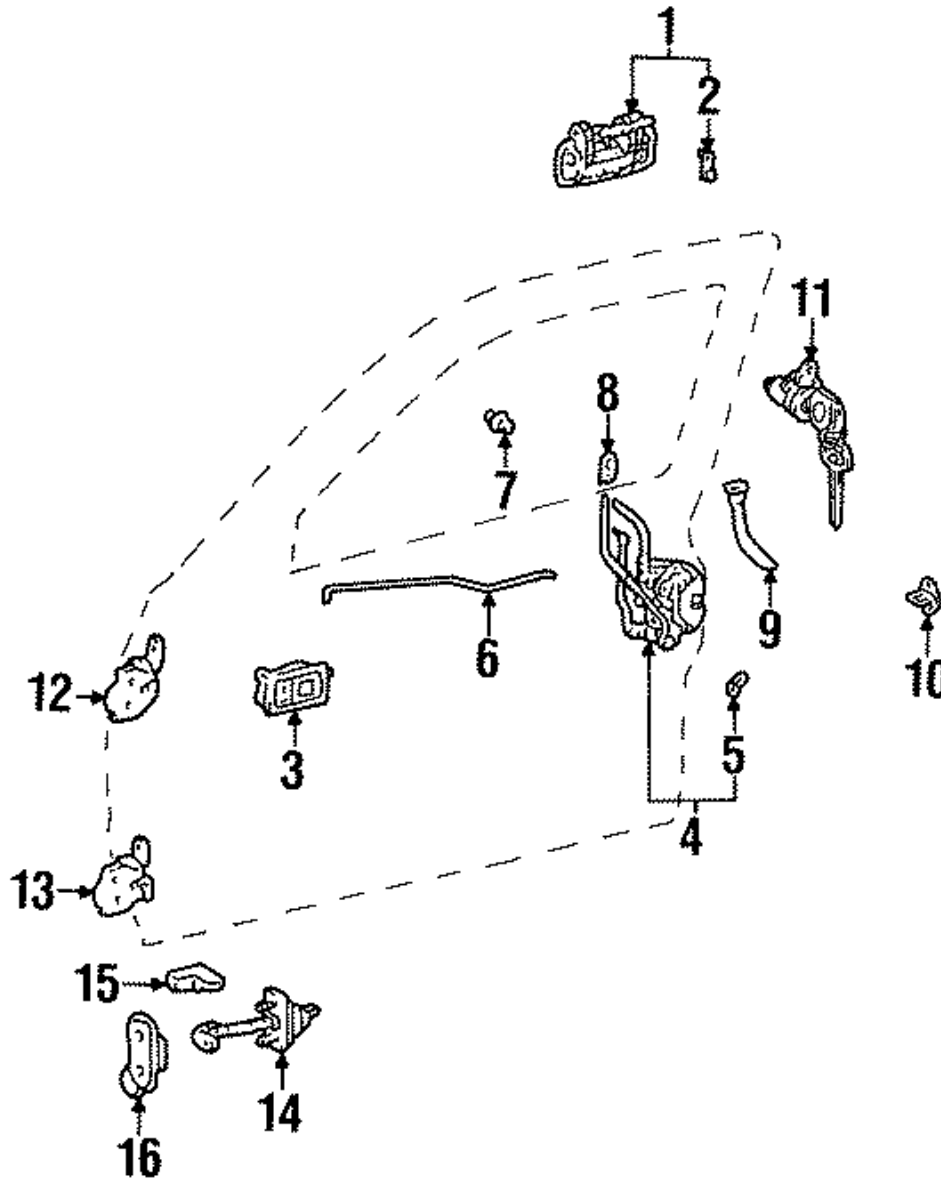
1. WIPER ARM RIGHT
2. NUT BACK
3. COVER BACK
4. WIPER BLADE RIGHT
5. REFIL RIGHT
6. WIPER MOTOR
7. LINK
8. RESERVOIR
9. RESERVOIR COLD
10. GROMMET
11. SHIELD COLD PACKAGE
12. CAP
13. CAP COLD PACKAGE
14. WASHER PUMP
15. WASHER GROMMET
16. FILTER
17. LEVEL SENSOR

## DOOR HARDWARE



1. DOOR
2. RUN CHANNEL RIGHT
3. FRONT RIGHT
4. REAR RIGHT
5. MANUAL RIGHT
6. BLUE GRAY BACK
7. RETAINER BACK
8. PLATE BACK
9. MOTOR

# DOOR LOCK



1. W/o Body Chrome
2. Snap
3. Gray
4. Manual Lock
5. Snap Yellow Back
6. Lock Rod
7. Clamp Back
8. Gray Back
9. Holder
10. Striker Back
11. Cylinder & Key
12. Upper Hinge
13. Lower Hinge
14. Check Arm
15. Upper Cover
16. Side Cover